

PROCESSOR
252 SHEET 4
DSP AUDIO

RECEIVER
246 SHEET 3

SYNTH-VCO
2922 SHEET 5

POWER-AMP
93 SHEET 2

VCO sheet 6

Interface PCB

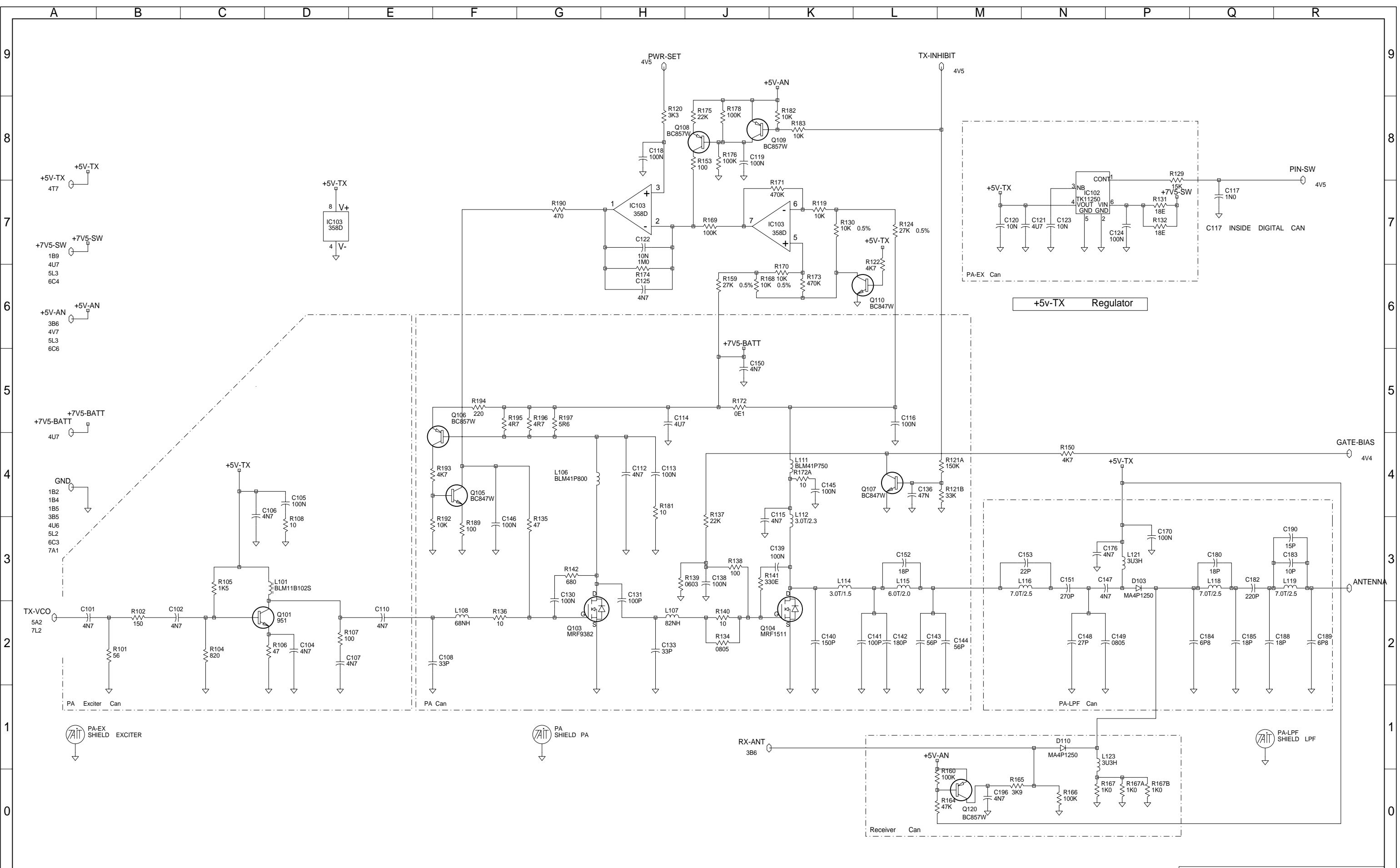
Connector Accessory

22WAY SIDE ENTRY FLEXI BRD SKT
12 WAY SKT

SUB-VHF
Tait Orca

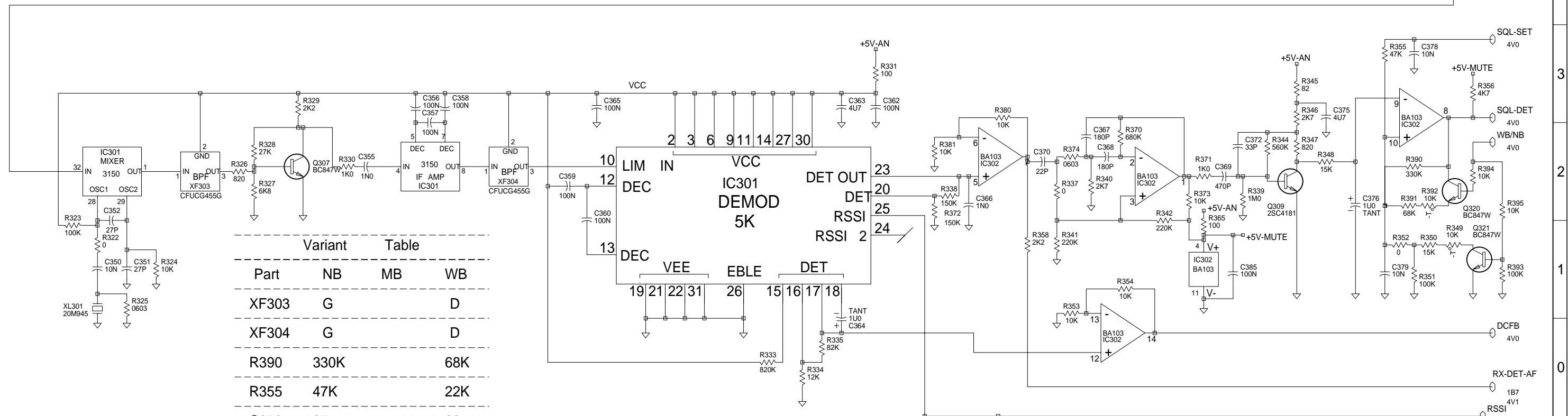
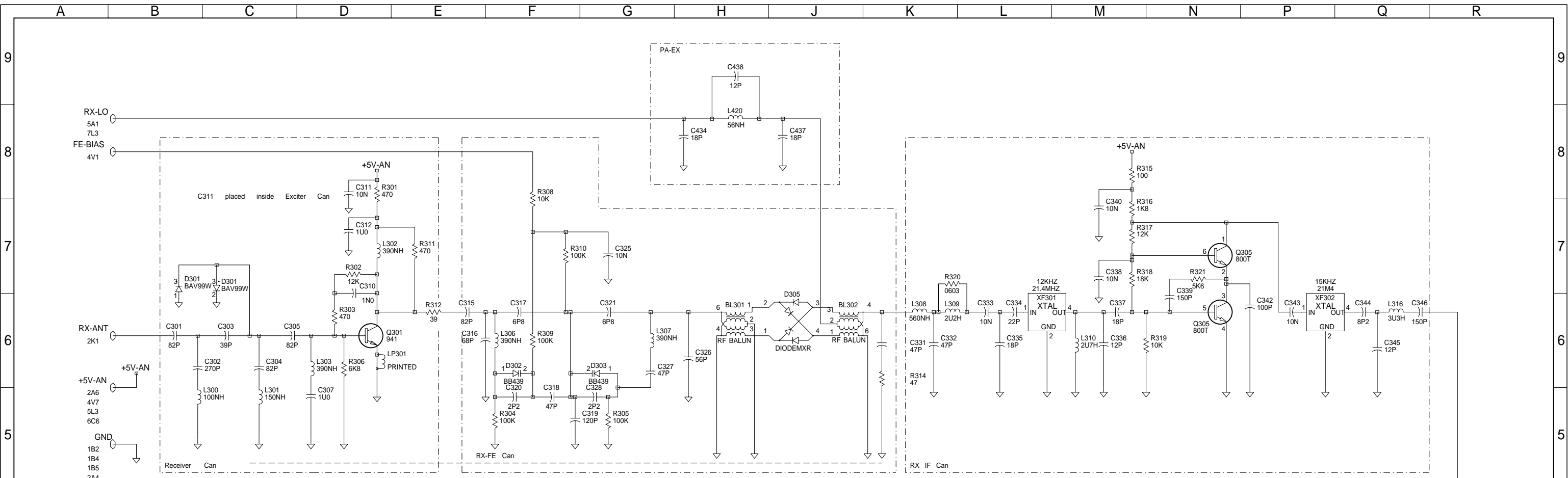
© TAIT ELECTRONICS	
ORCA :	66-88MHZ
SYSTEM DIAGRAM	
IPN: 220-01616-07	ISSUE: A
DESIGNER: TAIT ORCA	FILE NAME: BRD 161607a
DATE: 5-May-00	NO. SHEETS: 7

07A	CCO NO. 1616-010	BRD			05-05-00
06B	CCO 1616-009	BRD			22-02-00
06A	CCO NO 1616-008	BRD			10-02-2K
04A	CLONED 220-01616-01 CCO 1616/006	BRD	SP	CK	DW 24/11/99
REV/ISS	AMENDMENTS	DRAWN	CHKD	D.O.	APVD DATE



© TAIT ELECTRONICS
 ORCA : 66-88MHZ POWER AMPLIFIER
 IPN: 220-01616-07 ISSUE: A ID: 2.S.C. 2
 PROJECT: TAIT ORCA DESIGNER: BRD FILE NAME: 161607a FILE DATE: 5-May-00 NO.SHEETS: 7

REV/ISS	AMENDMENTS	DRAWN	CHKD	D.O.	APVD	DATE
A						



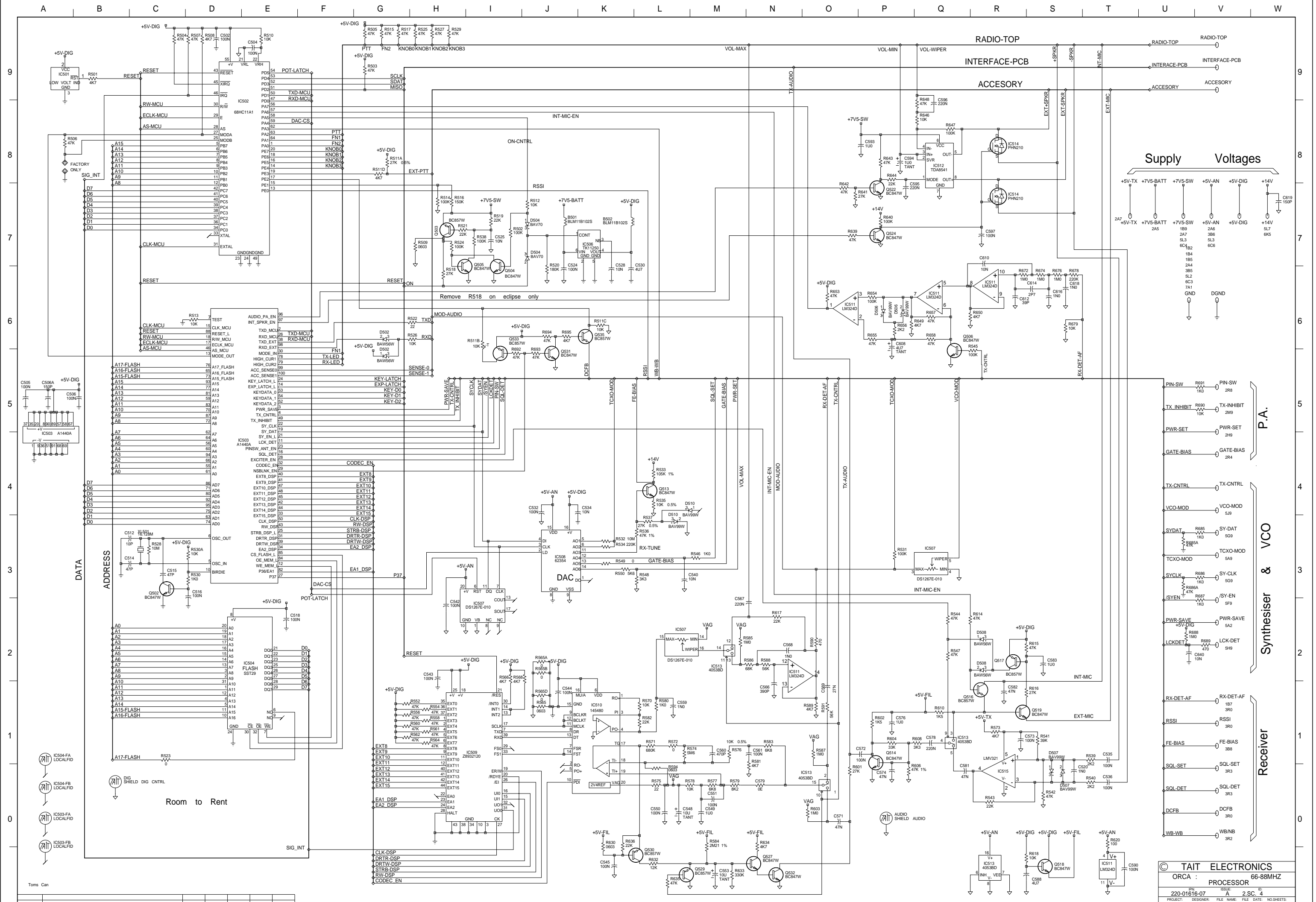
Variant Table

Part	NB	MB	WB
XF303	G		D
XF304	G		D
R390	330K		68K
R355	47K		22K
C370	27p		22p
C369	470p		330p

© TAIT ELECTRONICS
 ORCA : RECEIVER 66-88MHZ
 IPN: 220-01616-07 ISSUE: A 2.S.C. 3 ID:
 PROJECT: TAIT ORCA BRD DESIGNER: FILE NAME: 161607a DATE: 5-May-00 NO.SHEETS: 7

REVISIONS

REV/ISS	AMENDMENTS	DRAWN	CHKD	D.O.	APVD	DATE



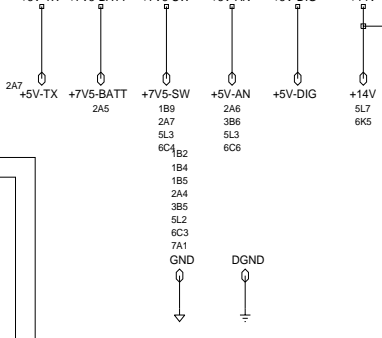
REV/ISS	AMENDMENTS	DRAWN	CHKD	D.O.	APVD	DATE

© TAIT ELECTRONICS
 ORCA : PROCESSOR 66-88MHZ
 220-01616-07 2.SC. 4
 PROJECT DESIGNER FILE DATE NO.SHEETS
 TAIT ORCA BRD 161607a 5-May-90 7

P.A.
 Synthesiser & VCO
 Receiver

Room to Rent

Supply Voltages



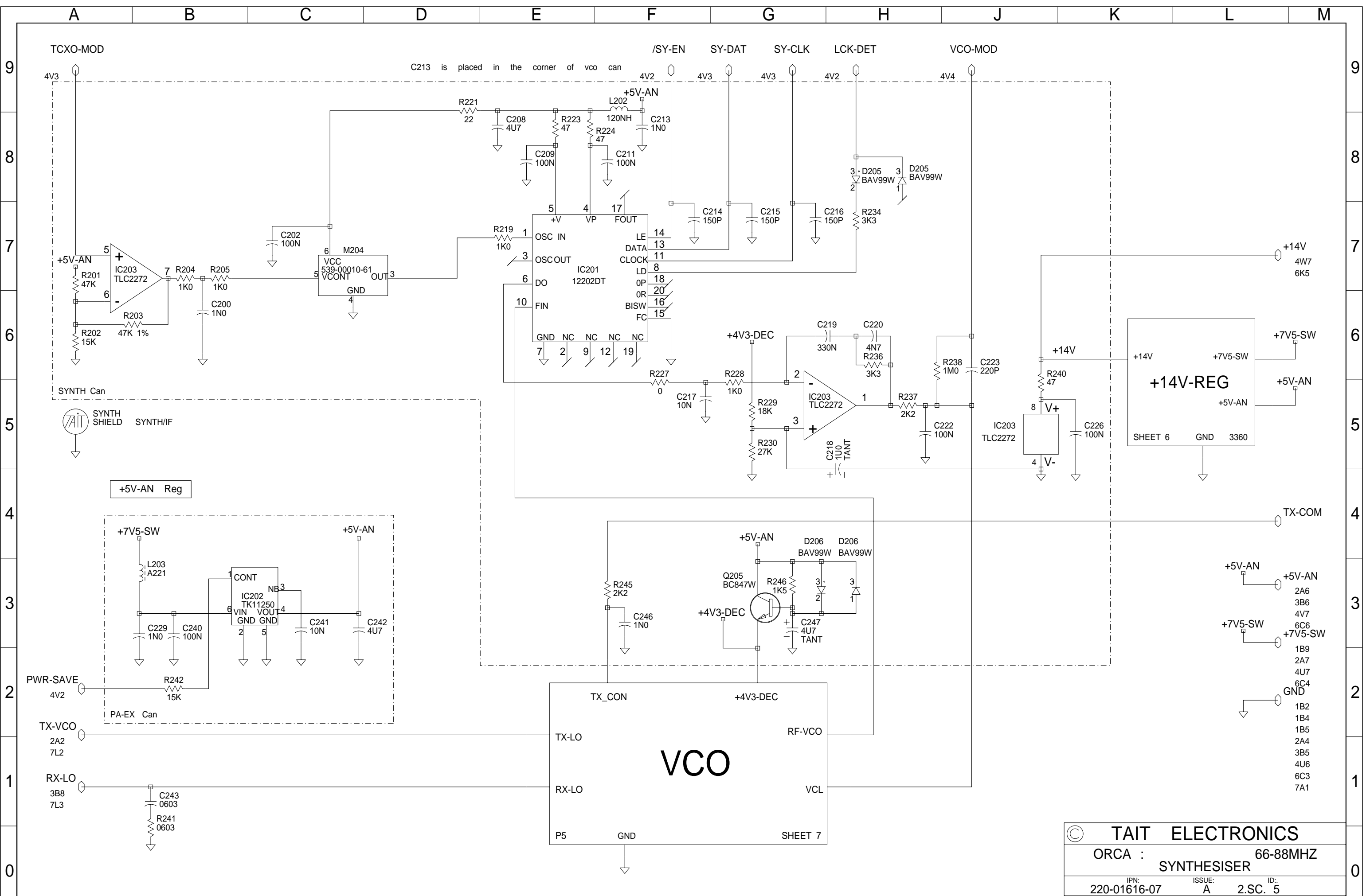
IC502

IC503

IC511

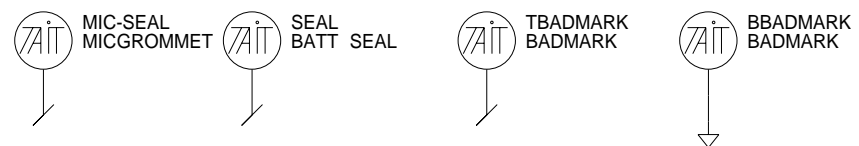
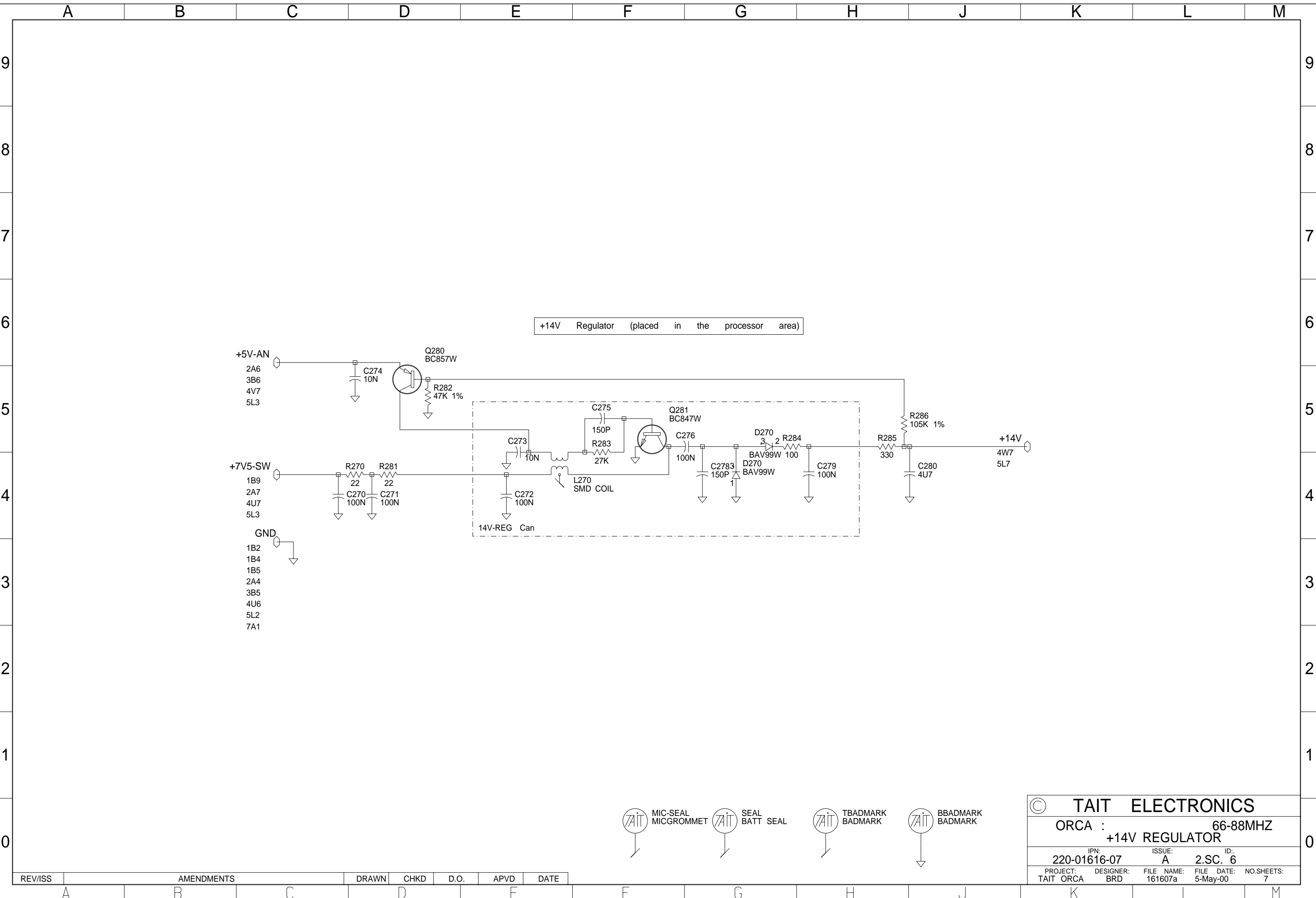
IC515

IC514



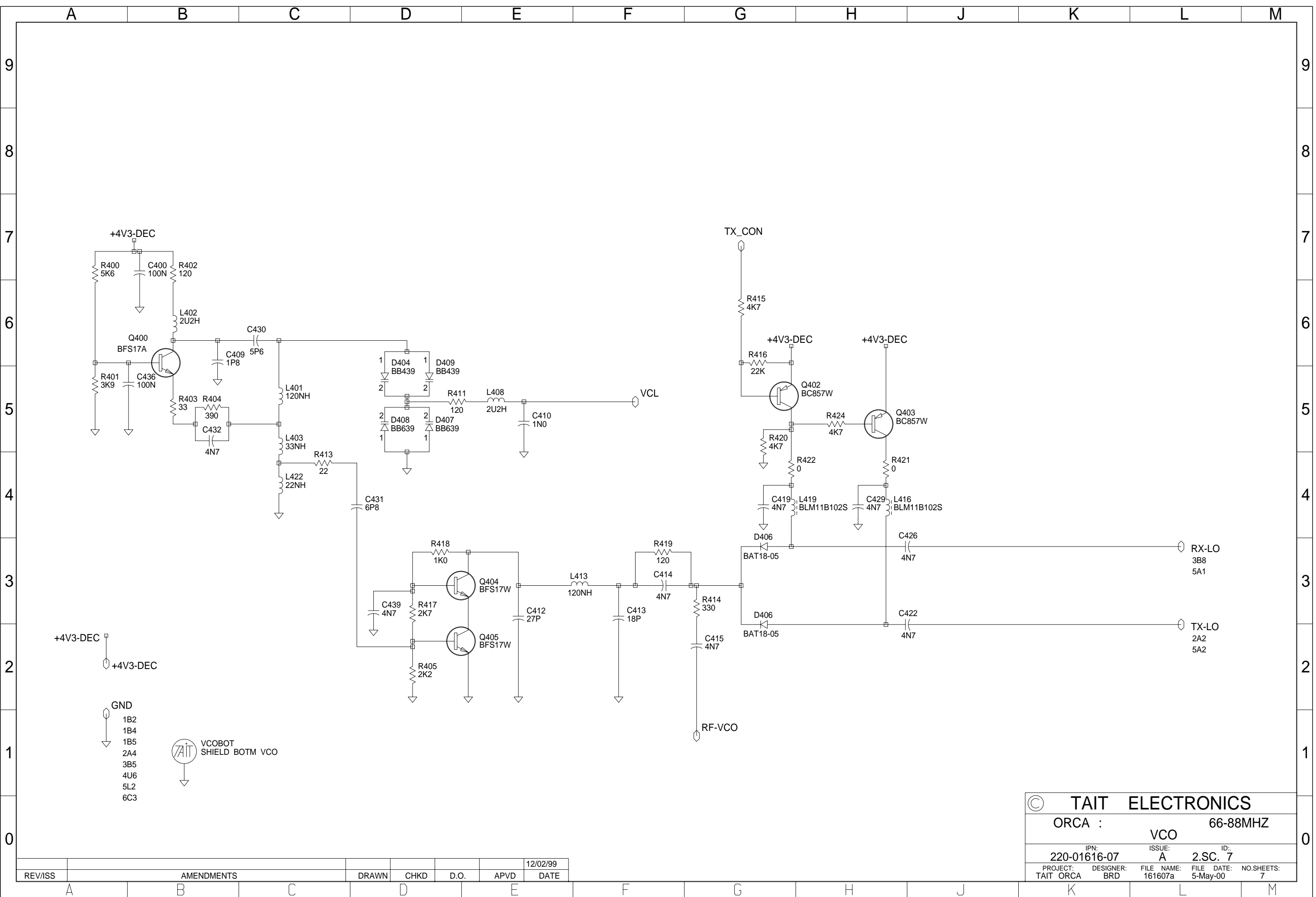
© TAIT ELECTRONICS	
ORCA :	66-88MHZ
SYNTHESISER	
IPN: 220-01616-07	ISSUE: A
PROJECT: TAIT ORCA	DESIGNER: BRD
FILE NAME: 161607a	FILE DATE: 5-May-00
NO. SHEETS: 7	ID: 2.SC. 5

REV/ISS	AMENDMENTS	DRAWN	CHKD	D.O.	APVD	DATE



© TAIT ELECTRONICS	
ORCA :	66-88MHZ
+14V REGULATOR	
IPN:	ID:
220-01616-07	A 2.SC. 6
PROJECT:	DESIGNER:
TAIT ORCA	BRD
FILE NAME:	FILE DATE:
161607a	5-May-00
NO.SHEETS:	
7	

REV/ISS	AMENDMENTS	DRAWN	CHKD	D.O.	APVD	DATE
---------	------------	-------	------	------	------	------



+4V3-DEC

+4V3-DEC

GND

1B2

1B4

1B5

2A4

3B5

4U6

5L2

6C3

VCOBOT SHIELD BOTM VCO

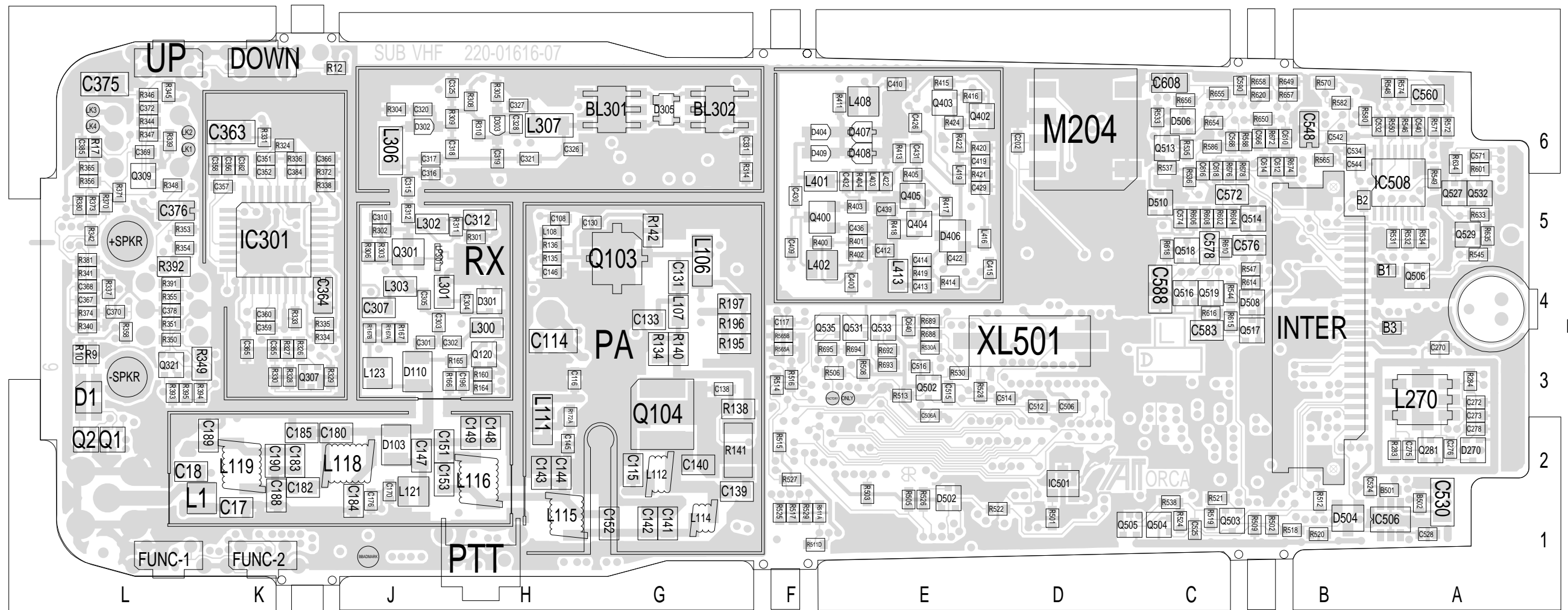
© TAIT ELECTRONICS	
ORCA :	VCO 66-88MHZ
IPN: 220-01616-07	ISSUE: A ID: 2.SC. 7
PROJECT: TAIT ORCA	DESIGNER: BRD FILE NAME: 161607a FILE DATE: 5-May-00 NO.SHEETS: 7

REV/ISS	AMENDMENTS	DRAWN	CHKD	D.O.	APVD	DATE
						12/02/99

RXDEM

RX-FE

VCOBOT



PA-LPF

TAIT ELECTRONICS IPN: 220-01616-07 ISS: A ID: 6.BA DATE: 4 May 2000
 SUB VHF PCB LAYOUT - BOTTOM SIDE

Scale:2.3:1 ; Rotation: 0 degrees